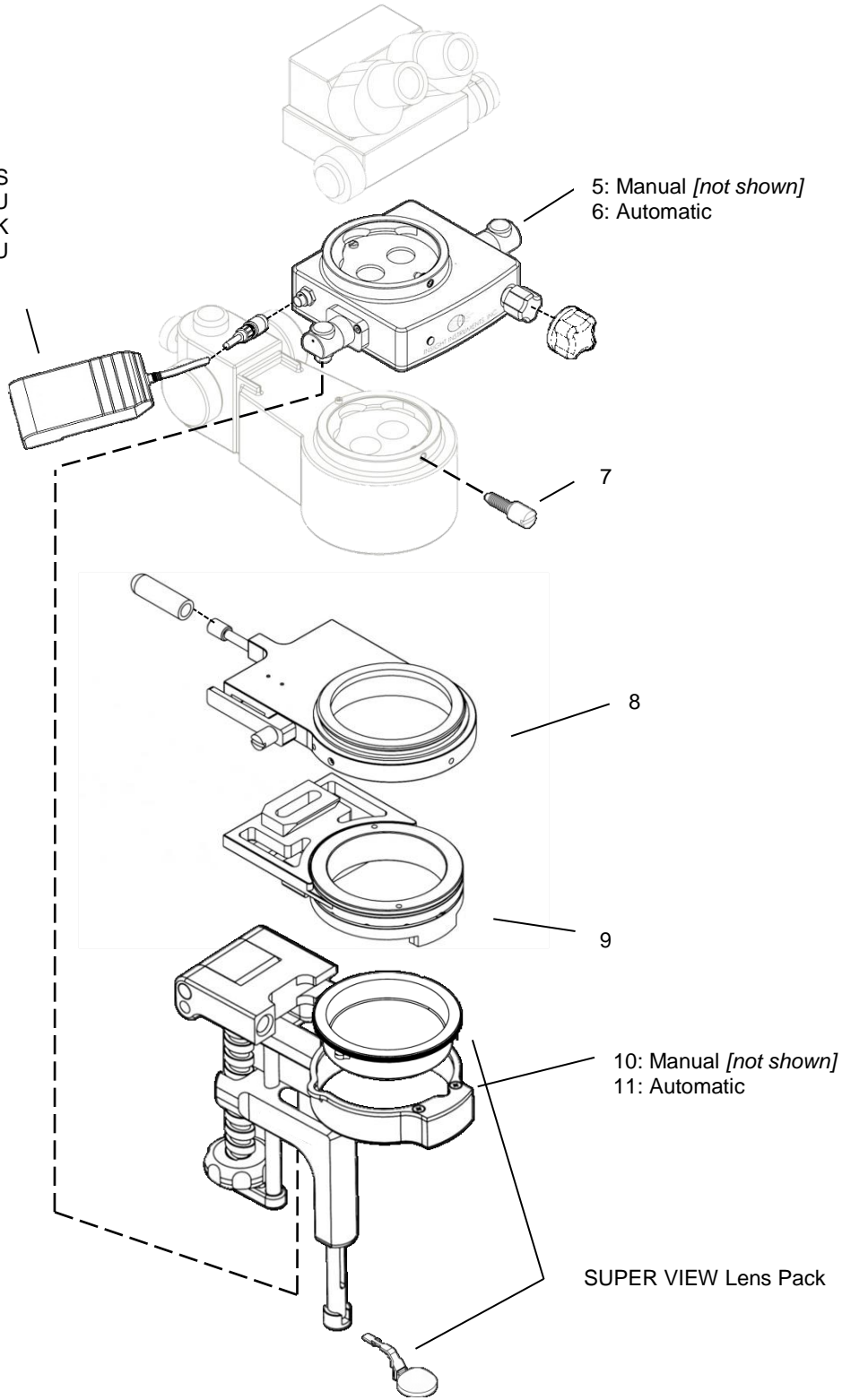


# SUPER VIEW<sup>®</sup> Wide Angle Viewing System Installation Diagram

Leica M220/M650/M690

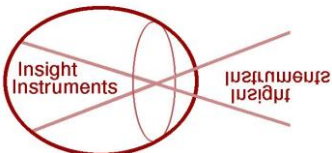
- 1: US
- 2: EU
- 3: UK
- 4: AU

- 5: Manual [not shown]
- 6: Automatic



- 10: Manual [not shown]
- 11: Automatic

SUPER VIEW Lens Pack



Insight Instruments, Inc.  
 2580 S.E. Willoughby Blvd. Stuart, FL 34994  
 Tel: 772-219-9393; US: 800-255-8354  
 Fax: 772-219-9342  
[www.InsightInstruments.com](http://www.InsightInstruments.com)



ID-43003 R2  
 ECN-1087