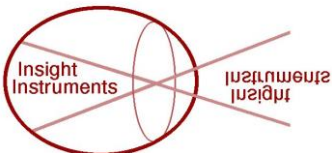
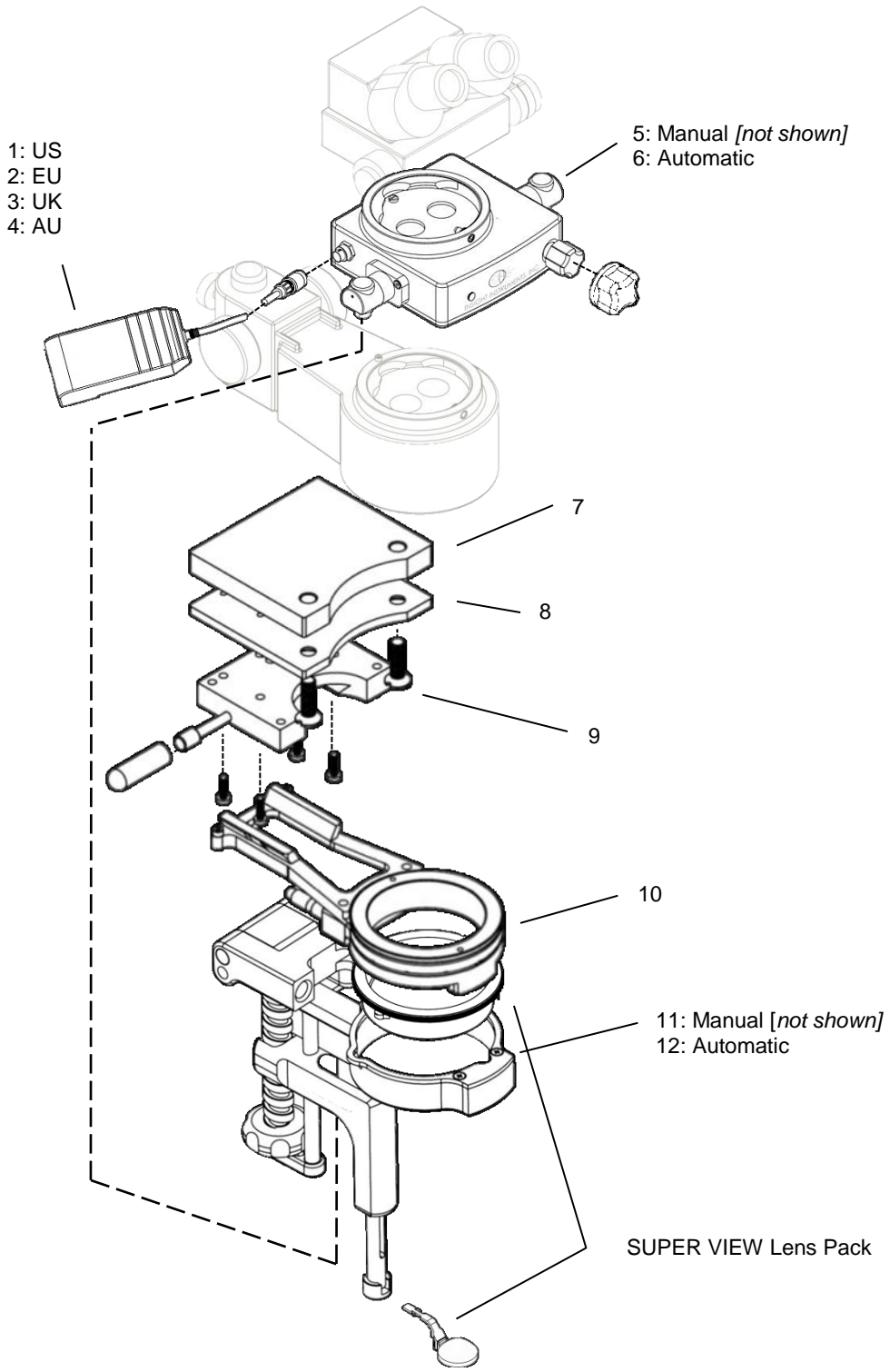


SUPER VIEW® Wide Angle Viewing System Installation Diagram

Leica M500/M501/M620 APO



Insight Instruments, Inc.
 2580 S.E. Willoughby Blvd. Stuart, FL 34994
 Tel: 772-219-9393; US: 800-255-8354
 Fax: 772-219-9342
www.InsightInstruments.com



ID-43005 R3
 ECN-1087