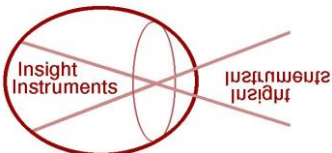
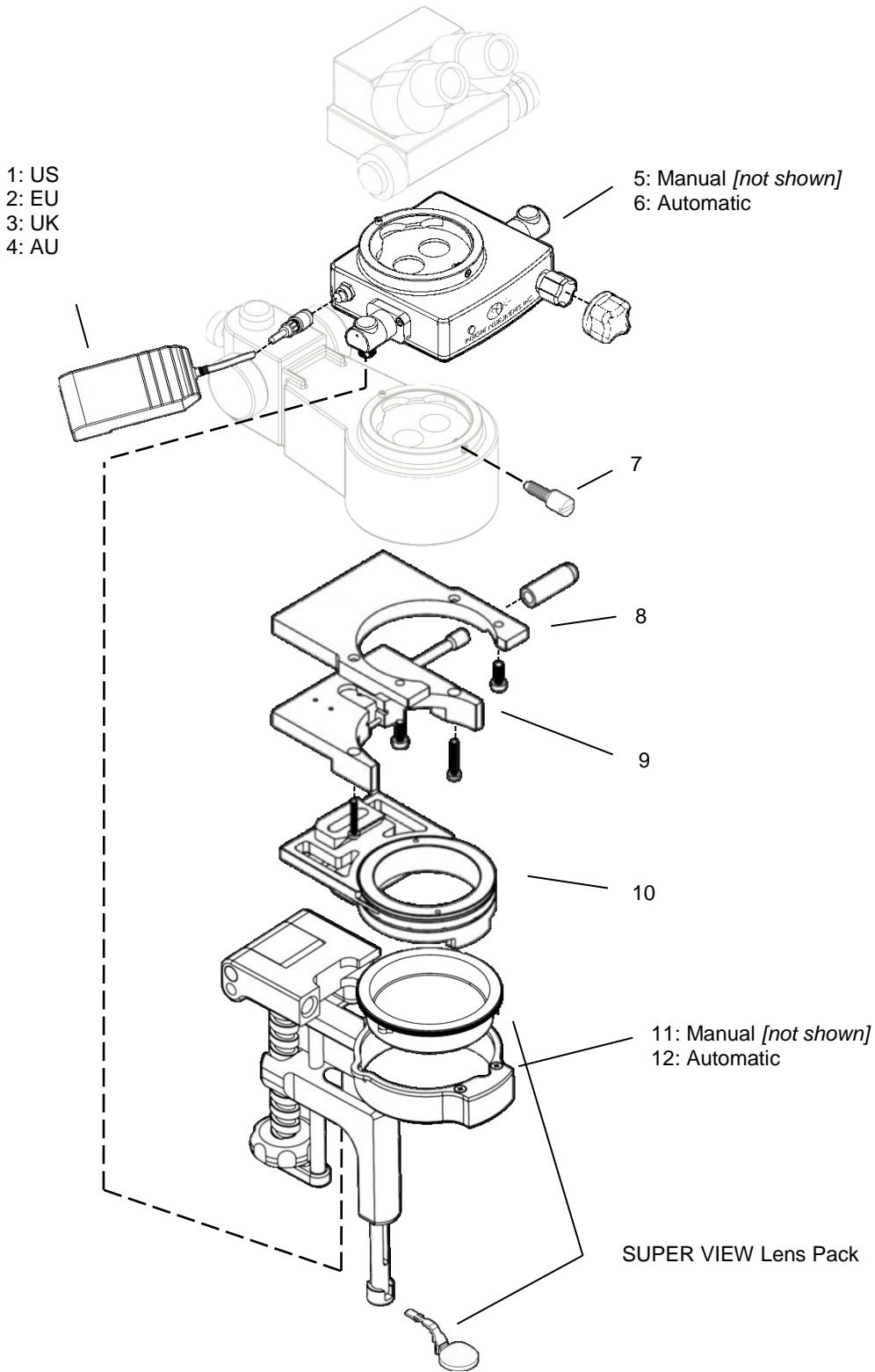


SUPER VIEW® Wide Angle Viewing System Installation Diagram

Möller 900



Insight Instruments, Inc.
2580 S.E. Willoughby Blvd. Stuart, FL 34994
Tel: 772-219-9393; US: 800-255-8354
Fax: 772-219-9342
www.InsightInstruments.com



ID-43010 R3
ECN-1087