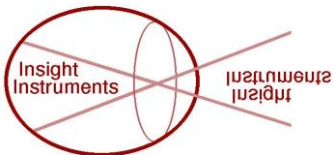
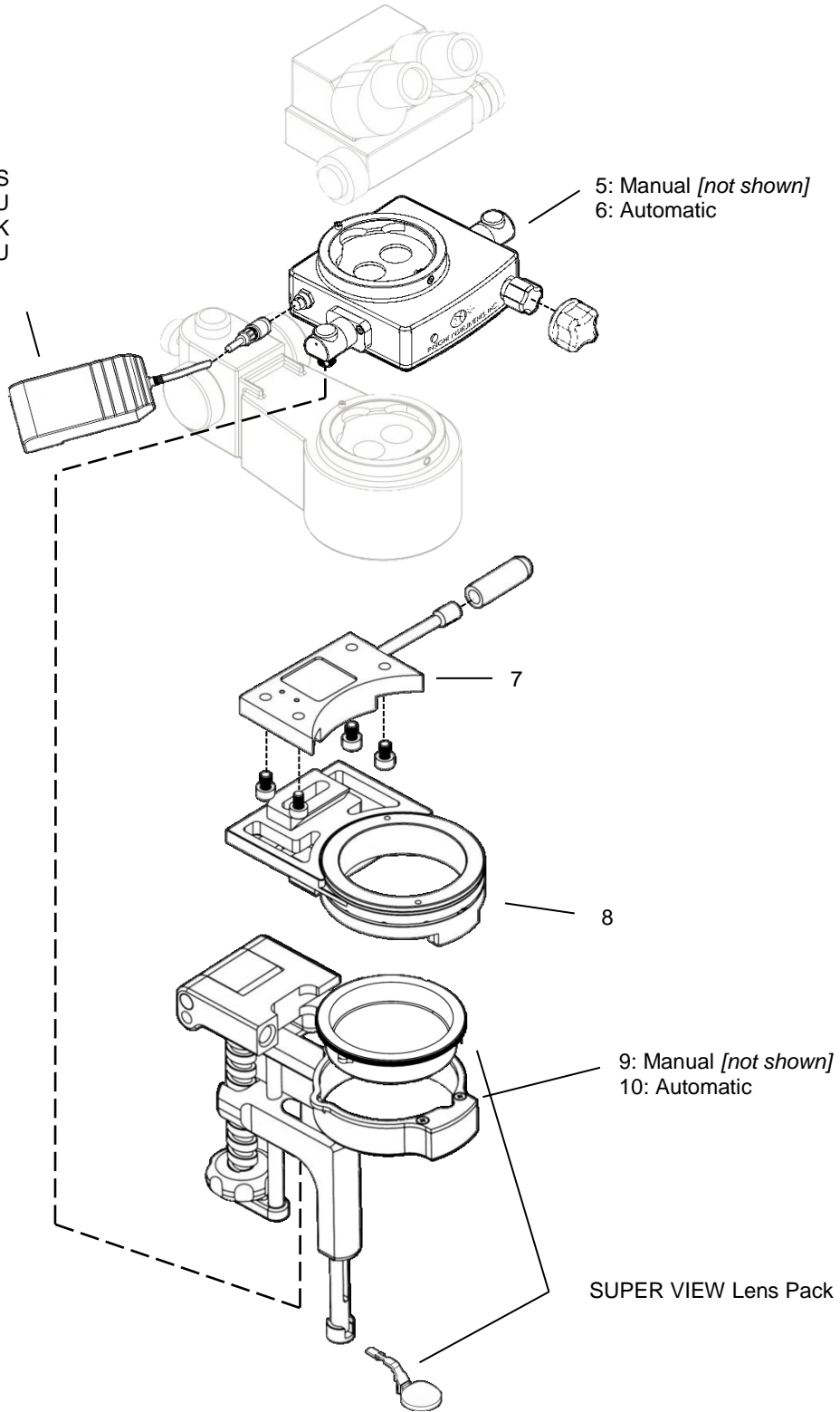


SUPER VIEW® Wide Angle Viewing System Installation Diagram

Topcon OMS 600/610/650/800 Pro/800 Standard/850 Pro/850 Standard

- 1: US
- 2: EU
- 3: UK
- 4: AU

- 5: Manual [not shown]
- 6: Automatic



Insight Instruments, Inc.
2580 S.E. Willoughby Blvd. Stuart, FL 34994
Tel: 772-219-9393; US: 800-255-8354
Fax: 772-219-9342
www.InsightInstruments.com



ID-43014 R1
ECN-1087