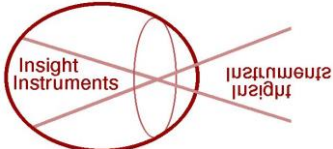
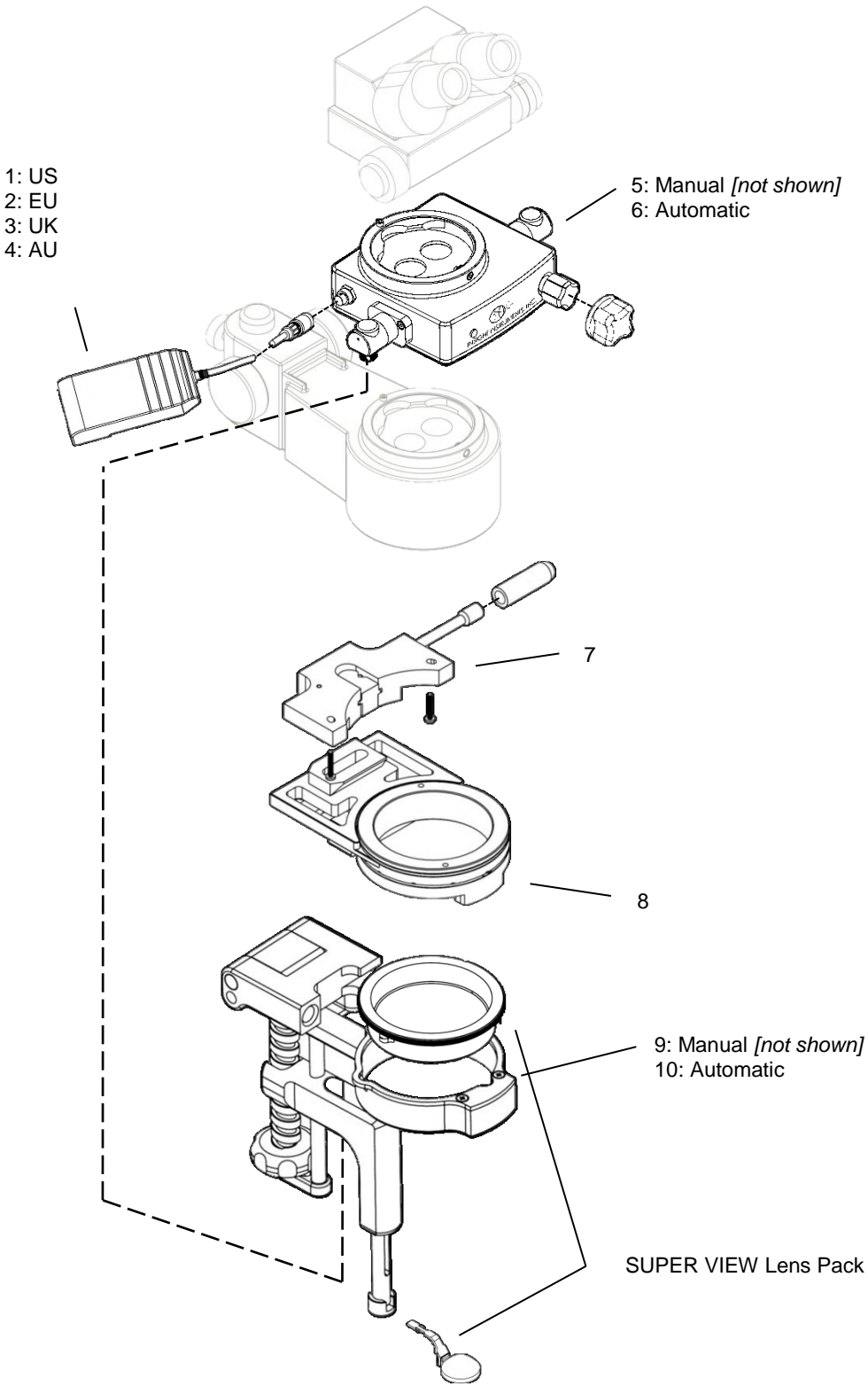


# SUPER VIEW® Wide Angle Viewing System Installation Diagram

Zeiss Retroskop 1/2



Insight Instruments, Inc.  
2580 S.E. Willoughby Blvd. Stuart, FL 34994  
Tel: 772-219-9393; US: 800-255-8354  
Fax: 772-219-9342  
[www.InsightInstruments.com](http://www.InsightInstruments.com)



ID-43020 R2  
ECN-1087